

2 GD ATEX SCALES Guide



www.bilanciai.com

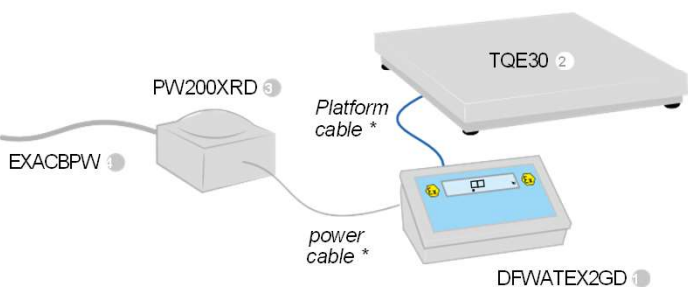
SOCIETA' BILANCAI PORRO s.r.l.
UFFICI, LABORATORIO ED OFFICINE:

Via Meda, 16 20037 - Paderno Dugnano (MI) - ITALY
Tel: +39 (0)2 9186517 Fax: +39 (0)2 9180462
e-mail: info@bilancai.com <http://www.bilanciai.com>

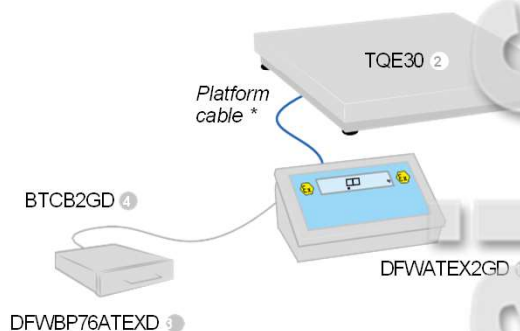


EX 2GD | Bench scales

MAINS VERSION



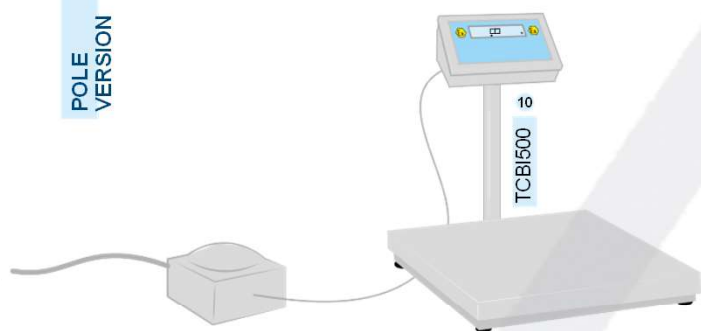
BATTERY VERSION



BATTERY CHARGE IN SAFETY AREA ONLY.



POLE VERSION



POLE VERSION



1	DFWATEX2GD	1
2	TQE30	1
3	PW200XRD	1
4	EXACBPW	n
5	CCATEX	1
6	DCATEX2GD	1
7	DINICAL	1
8	ECEM **	1
9	S6	1

POLE VERSION

10	TCBI500	1
----	---------	---

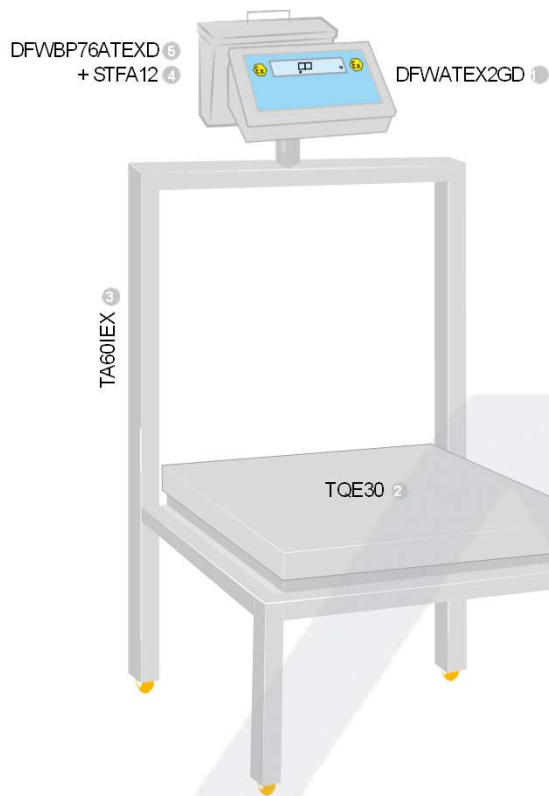
1	DFWATEX2GD	1
2	TQE30	1
3	DFWBP76ATEXD	1
4	BTCB2GD	1
5	DFWBPAL	1
6	CCATEX	1
7	DCATEX2GD	1
8	DINICAL	1
9	ECEM**	1

POLE VERSION

10	TCBI500	1
11	STFA12	1



EX 2GD | Bench scales mobile version



	CODE (example)	QTY
1	DFWATEX2GD	1
2	TQE30	1
3	TA60IEX	1
4	STFA12	1
5	DFWBP76ATEXD	1
6	BTCB2GD	1
7	DFWBPAL	1
8	CCATEX	1
9	DCATEX2GD/DCATEX2GDB*	1
10	DINICAL	1
11	ECEM**	1

* For a IIC cart is required a DCATEX2GD, for a IIB cart is required DCATEX2GDB

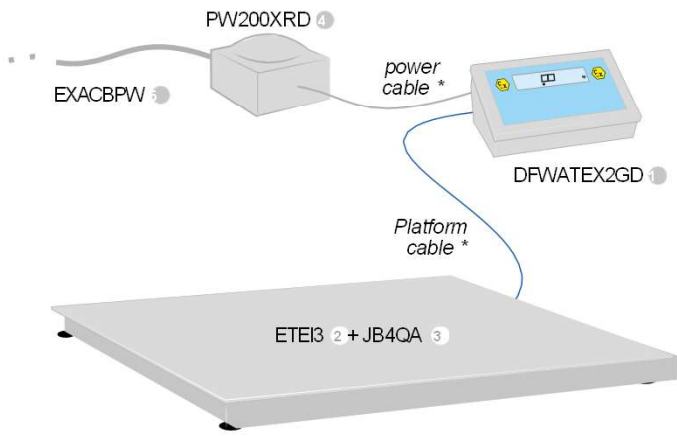
** Only for legal for trade approved version

www.bilanciai.com

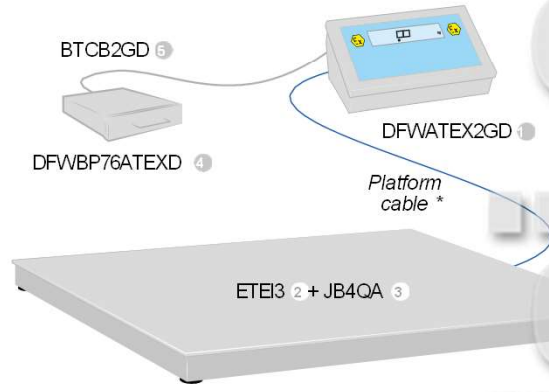


EX 2GD | Floor Scales

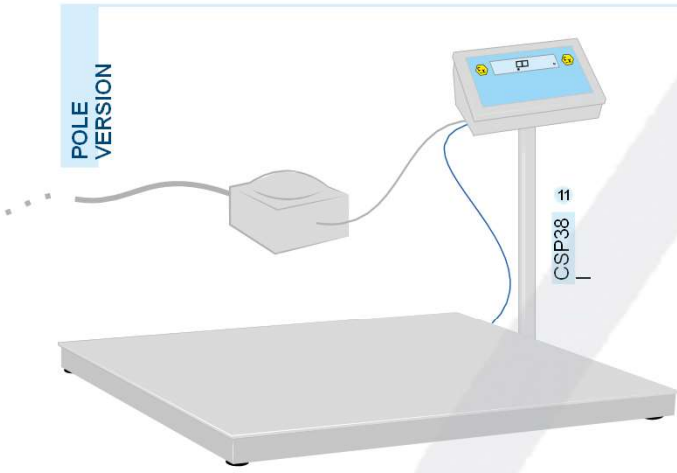
MAINS VERSION



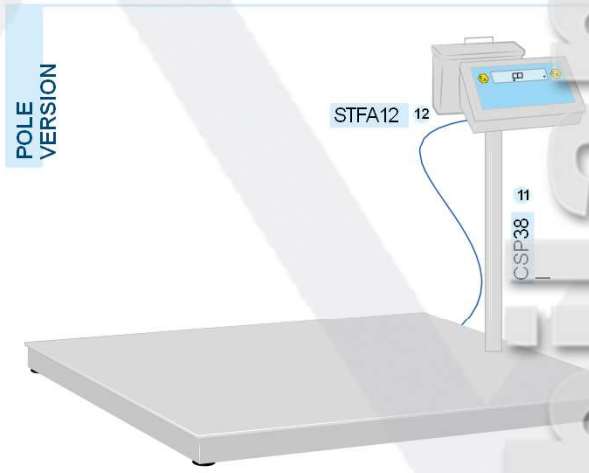
BATTERY VERSION



POLE VERSION



POLE VERSION



1	DFWATEX2GD	1
2	ETEI3	1
3	JB4QA	1
4	PW200XRD	1
5	EXACBPW	n
6	CCATEX	4
7	DCATEX2GD	1
8	DINICAL	1
9	ECEM**	1
10	S6	1

POLE VERSION

11	CSP38I	1
----	--------	---

1	DFWATEX2GD	1
2	ETEI3	1
3	JB4QA	1
4	DFWBP76ATEXD	1
5	BTCB2GD	1
6	DFWBPAL	1
7	CCATEX	4
8	DCATEX2GD	1
9	DINICAL	1
10	ECEM**	1

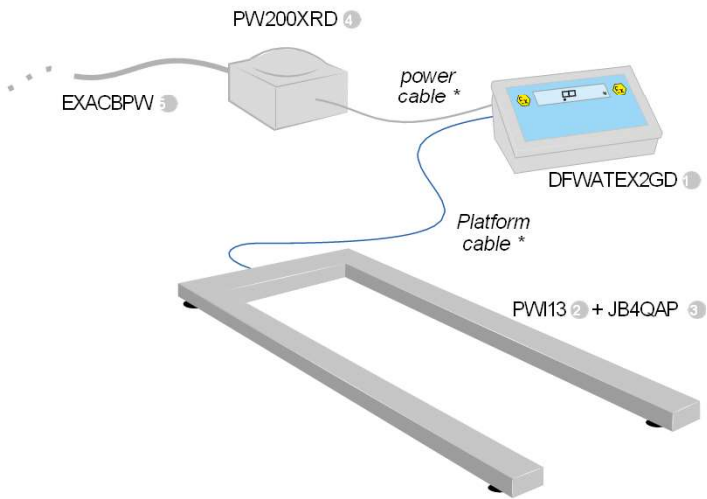
POLE VERSION

11	CSP38I	1
12	STFA12	1

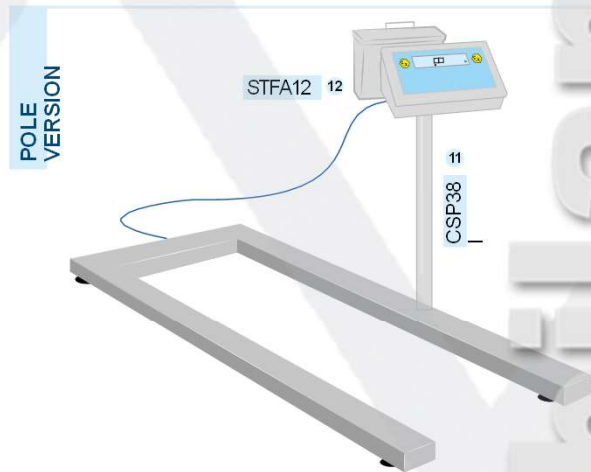
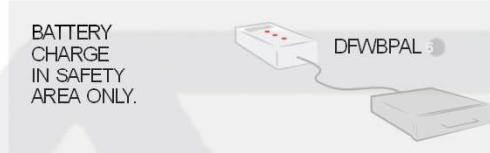
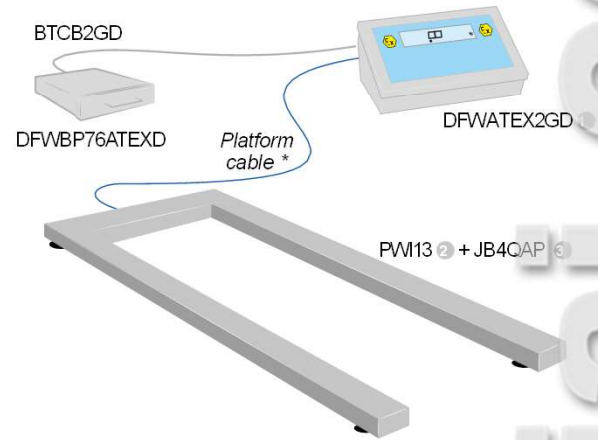


EX 2GD | Pallet Weigher

MAINS VERSION



BATTERY VERSION



1	DFWATEX2GD	1
2	PWI3	1
3	JB4QAP	1
4	PW200XRD	1
5	EXACBPW	n
6	CCATEX	4
7	DCATEX2GDIIB	1
8	DINICAL	1
9	ECEM**	1
10	S6	1

POLE VERSION

11	CSP38I	1
----	--------	---

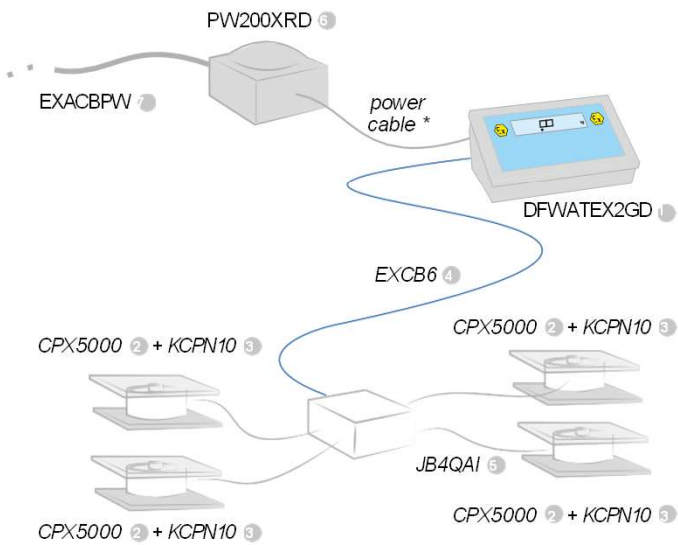
1	DFWATEX2GD	1
2	PWI3	1
3	JB4QAP	1
4	DFWBP76ATEXD	1
5	BTCB2GD	1
6	DFWBPAL	1
7	CCATEX	4
8	DCATEX2GDIIB	1
9	DINICAL	1
10	ECEM**	1

POLE VERSION

11	CSP38I	1
12	STFA12	1

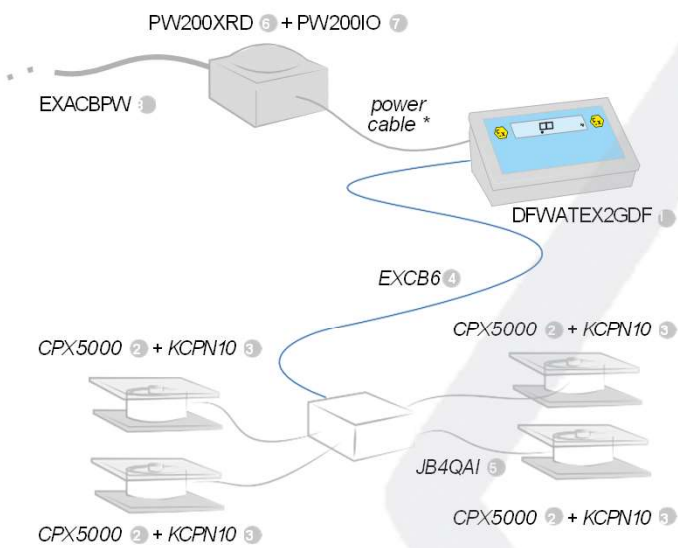


EX 2GD | Silos weighing



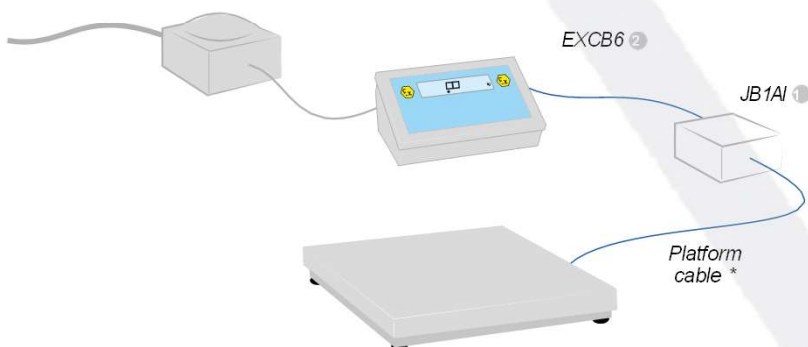
CODE (example)	QTY
1 DFWATEX2GD	1
2 CPX5000	4
3 KCPN10	4
4 EXCB6	n
5 JB4QAI	1
6 PW200XRD	1
7 EXACBPW	n
8 CCATEX	4
9 DCATEX2GD	1
10 S6	2

EX 2GD | Silos batching



CODE (example)	QTY
1 DFWATEX2GDF	1
2 CPX5000	4
3 KCPN10	4
4 EXCB6	n
5 JB4QAI	1
6 PW200XRD	1
7 PW200IO	1
8 EXACBPW	n
9 CCATEX	4
10 DCATEX2GD	1
11 S6	2

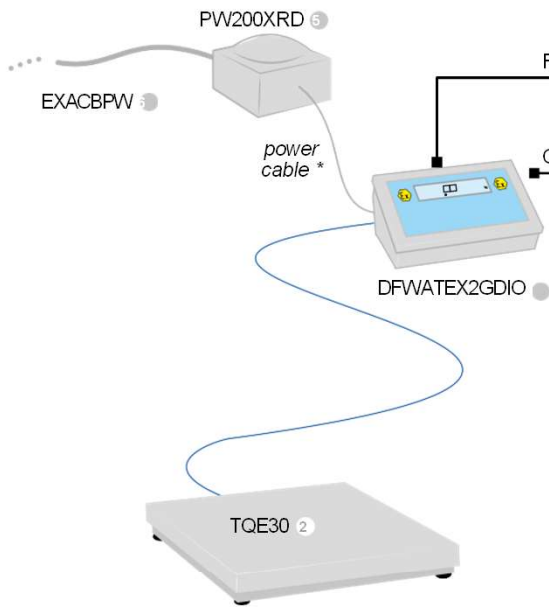
EX 2GD | Cable extension



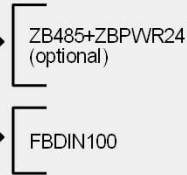
CODE (example)	QTY
1 JB1AI	1
2 EXCB6	n
3 S6	



EX 2GD | Optical fiber communication



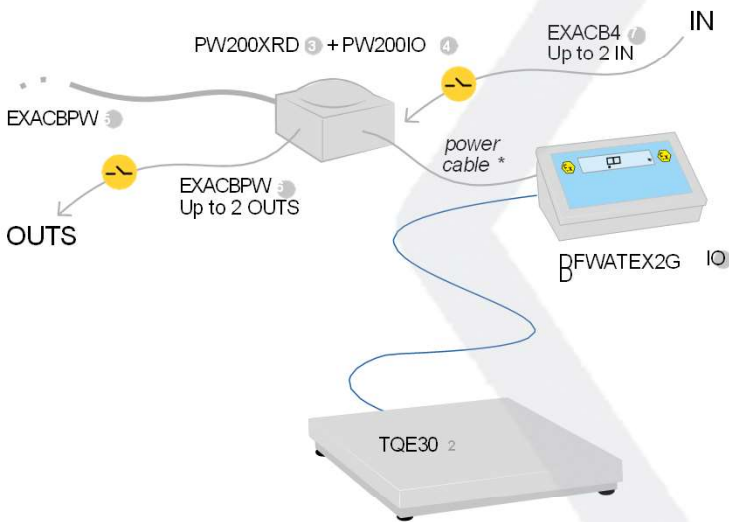
SAFETY ZONE



CODE (example)	QTY
FBDIN100	1
ZB485	1
ZBPWR24	1
S2	1
S6	1

CODE (example)	QTY
1 DFWATEX2GDIO	1
2 TQ30	1
3 CBFOPT	n
4 RSCBTW	n
5 PW200XRD	1
6 EXACBPW	n
7 CCATEX	1
8 DCATEX2GD	1
9 DINICAL	1
10 ECEM**	1
11 S2	1
12 S6	1

EX 2GD | 2 Inputs / 2 Outputs



CODE (example)	QTY
1 DFWATEX2GDIO	1
2 TQ30	1
3 PW200XRD	1
4 PW200IO	1
5 EXACBPW (POWER)	n
6 EXACBPW (OUTPUTS)	n
7 EXACB4 (INPUTS)	n
8 CCATEX	1
9 DCATEX2GD	1
10 DINICAL	1
11 ECEM**	1
12 S6	3



www.bilanciai.com

SOCIETA' BILANCAI PORRO s.r.l.
UFFICI, LABORATORIO ED OFFICINE:

Via Meda, 16 20037 - Paderno Dugnano (MI) - ITALY
Tel: +39 (0)2 9186517 Fax: +39 (0)2 9180462
e-mail: info@bilanciai.com <http://www.bilanciai.com>